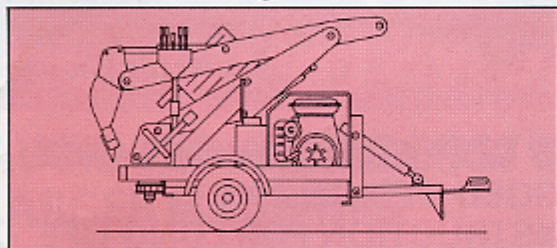


TOWING OPTIONS

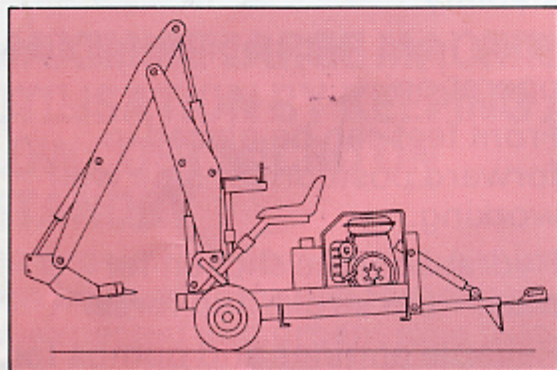
FULLY FOLDED

Compact, balanced, folded trailer for safe and easy long distance towing.



UPRIGHT

Alternative, upright position for site and local towing.



ON SITE MOVEMENT

Gopher can walk on site under own power using bucket and wheels. Can turn in own length.

MANOR EXCAVATORS

Manor Excavators, who are part of the Manor Group, have the exclusive worldwide rights to manufacture and sell the unique range of patented Gopher micro excavators.

The Manor Group have high calibre, specialised engineering resources supporting the modern production facility which is dedicated to Gopher manufacture. The factory uses a comprehensive quality control plan and provides a full after sales support service to ensure long trouble free operation.

Available from:

Manor Excavators Ltd.

Hallcroft Road,
Retford,
N. Notts.
DN22 7PX
Tel.(0777)700040



SPECIFICATION

DIMENSIONS

FOLDED

Length: 2.3m (7'6") (without towbar)

Towbar: 0.3m (12")

Height: 1.35m (4'5")

Width: 0.95m (3'1 1/2") (normal wheel position)

Width: 0.7m (2'3 1/2") (inner wheel position)

DIGGING

A. Surface digging reach: 2.92m (9'7") (from main pivot)

B. Length of dig: 3.875m (12'8") (front to rear of trench including undercut)

C. Depth of dig: 1.86m (6'1")

D. Loading height: 1.85m (6'1") (under bucket)

E. Slew: 160° or 180° option

Tear out force: 3700lb at 2000 psi

Approx. Gross Weight: 450kg (5 hp), 460kg (7 hp), 500kg (10 hp)

Engine: Standard oil alert Honda 5 and 7hp petrol. 10hp petrol and electrical options.

Pump: Gear pump producing 11.4 litres/min (2.6 gall/min) from 5hp and 18 litres/min (3.8 gall/min) from 7hp at 1750 psi.

Block: 5 lever open centre valves and pre-set relief valve. Two or more levers can be used without difficulty.

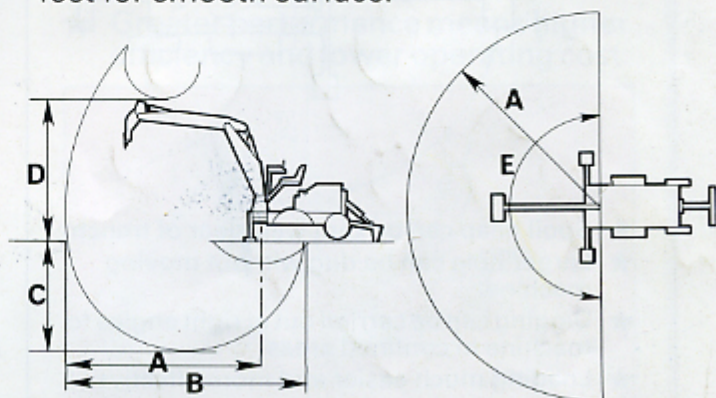
Rams: 50mm bore long stroke rams for maximum performance.

Hydraulic capacity: 22.7 litre (5 gallon) large capacity tank.

Filtration: Pump suction, tank filler and main return filters.

Slew: Twin ram balanced control.

Accessories: Buckets from 6 to 24 inch with long life teeth and side cutters. 24 inch material handling bucket. Back fill blade. Low profile wheels for soft conditions. Adjustable legs for sloping ground. Rubber feet for smooth surface.



SUBJECT TO CHANGE WITHOUT PRIOR NOTICE

DR WATSON 14/2/85