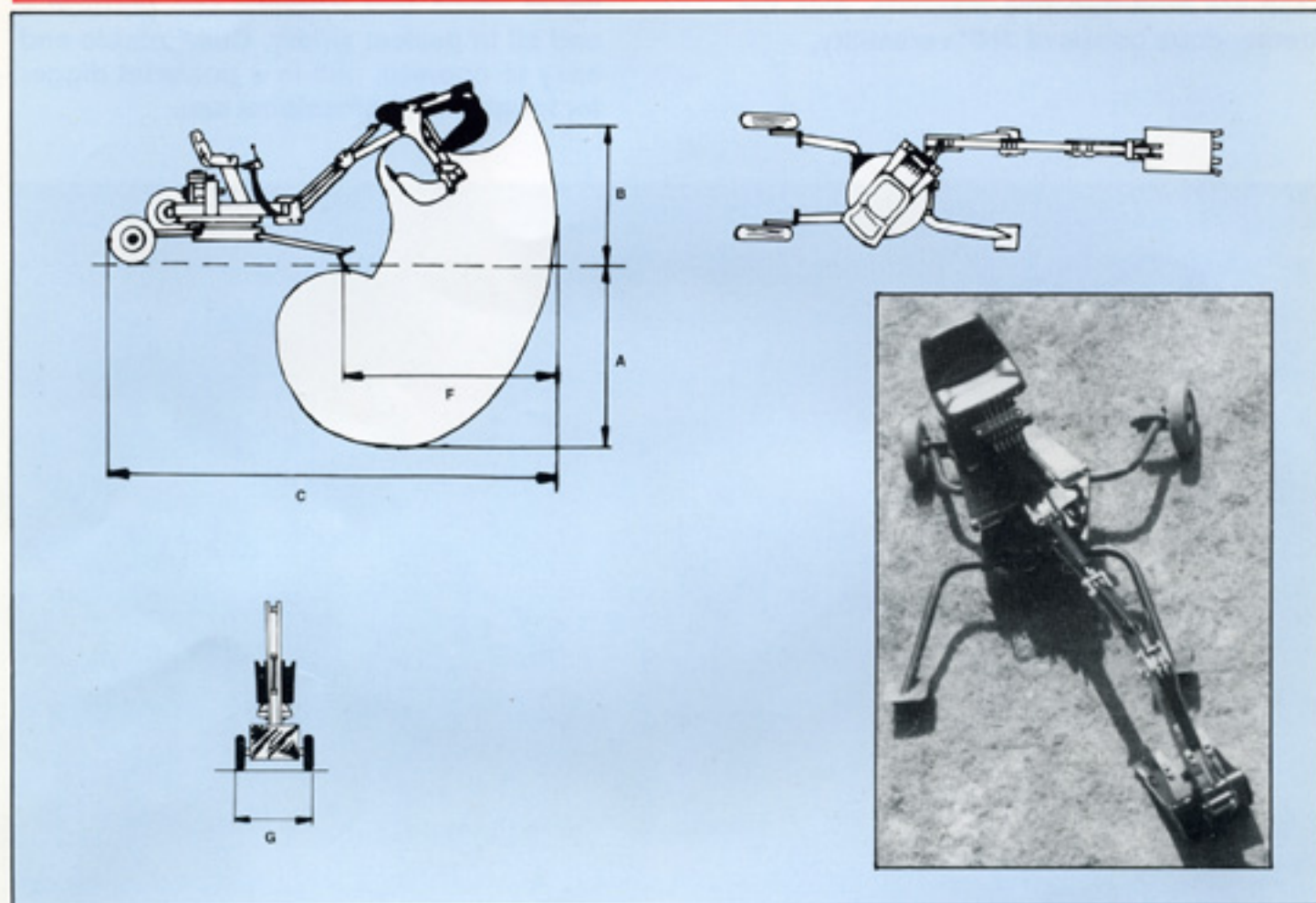


360°

MUSCLEMAN

General Dimensions



Optional Equipment & Attachments

A	Maximum digging depth	2.00m
B	Maximum dump height	1.50m
C	Overall length	3.00m
D	Working width	1.70m
E	Travelling height	1.78m
F	Reach from outrigger	1.85m
G	Minimum width	0.71m
H	Digging force at bucket teeth	1.9T
I	Offset boom swing (left/right)	65°/65°
	Operating weight	400kgs

- Buckets – 8", 12", 16"
- Narrow Access Wheels

WESTWOOD AUTOMATION LIMITED

Bell Close, Newnham Industrial Estate,
Plympton, Plymouth PL7 4JH Great Britain
Telephone 0752 341651 Fax 0752 344608

Westwood Automation Limited has a policy of continual development. We therefore reserve the right to alter designs and specifications within this brochure without prior notice.

© Westwood Automation Limited 12/90

YOUR LOCAL DISTRIBUTOR:

