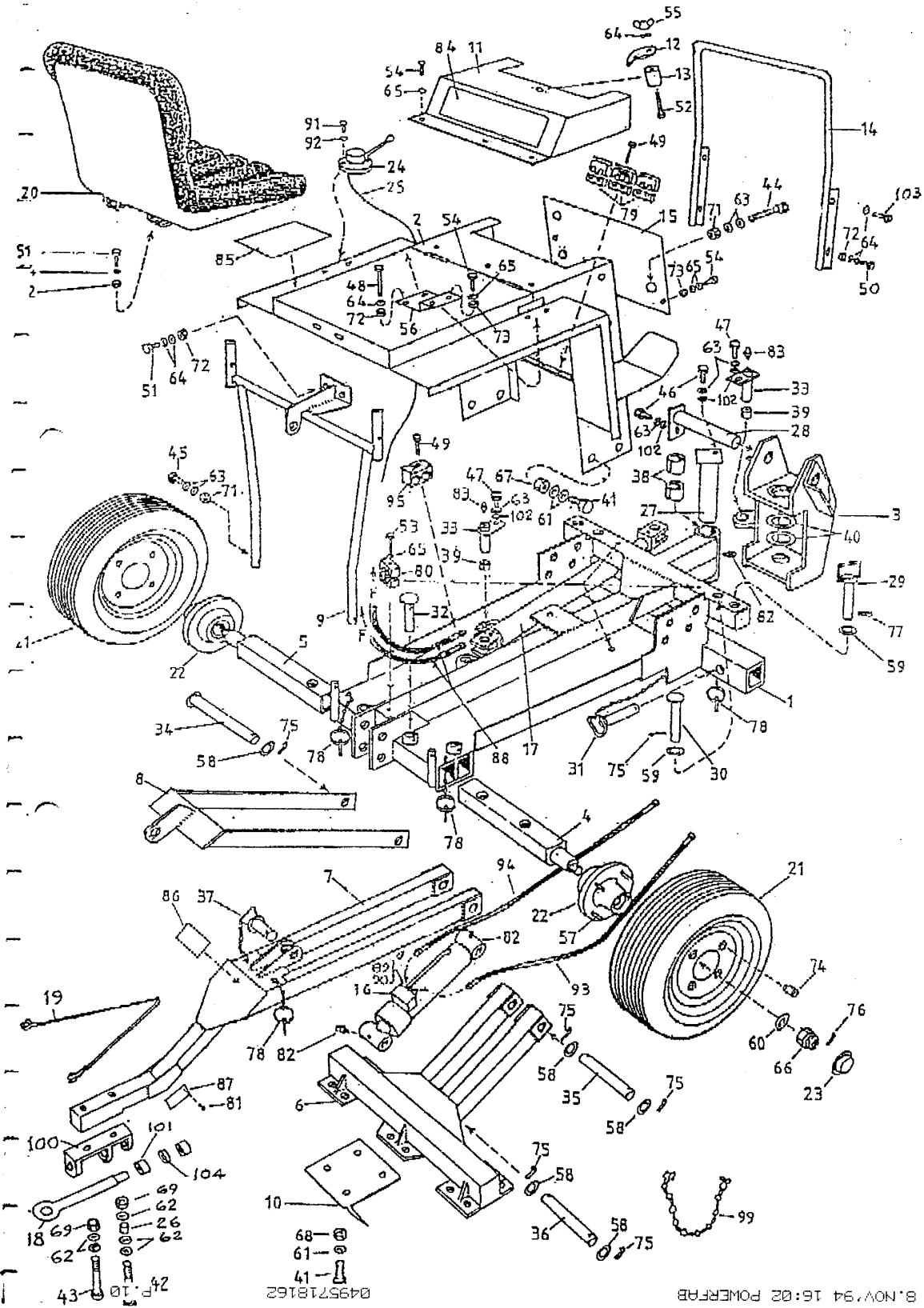


POWERFAB 125 WTD

**PART LIST CONTENTS**

PAGE	DESCRIPTION	KIT NO
7 & 8	CHASSIS KIT	K0231
9	FRONT END EQUIPMENT	K0259
10	HYDRAULIC DRIVE ASSEMBLY	K0258
11 & 12	HYDRAULIC CONTROLS	K0250
13	POWER KIT	K0245
14	DRIVE & FRONT OUTRIGGER	K0262

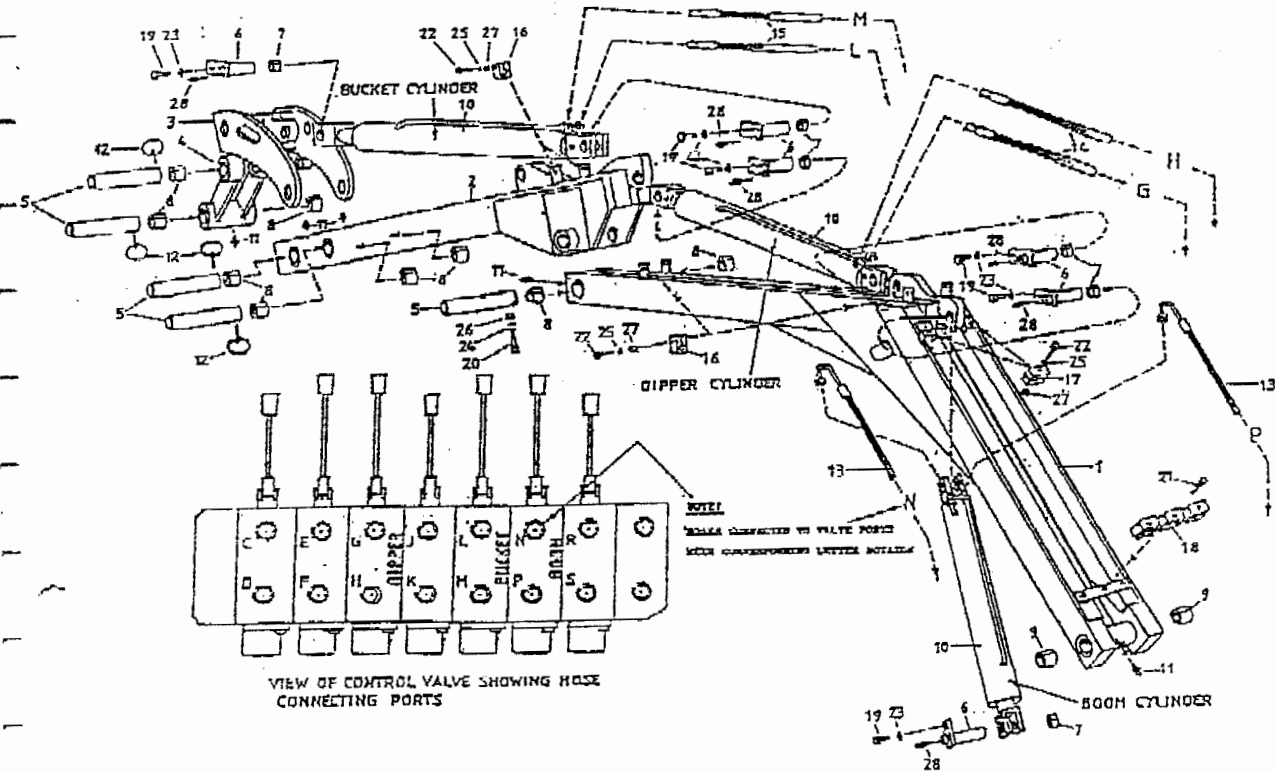
when ordering spares please quote machine serial number together with kit and item number of parts required.



0495718162

8.NOV/94 16:02 POWERFAB

ITEM	PART NO.	DESCRIPTION	QTY	ITEM	PART NO.	DESCRIPTION	QTY
1	WA/125/0997	Chassis	1	83	MB/125/1029	M6 Grease Nipple	2
2	WA/125/1111	Canopy	1	84	MB/125/1108	Instruction Plate (control valve)	1
3	WA/125/0350	Pivot Bracket	1	85	MB/125/0980	Instruction Plate	1
4	WA/125/0607	Rear Axle...M	1	86	MB/125/1336	Instruction Plate	1
5	WA/125/0540	Rear Axle...LH	1	87	MB/125/0593	Instruction Plate (machine weight)	1
6	WA/125/0697	Rear Stabilizer	1	88	MB/125/2269	Hose 3/8" BSP F/F 1.35 m Long	2
7	WA/125/1021	Tow Bar	1	89	MB/360/0056	Adapter 1/4" BSP M/M	2
8	WA/125/0700	Locking Arm	1	90	MB/125/0051	1/4" BSP Banded Seal	2
9	WA/125/0702	Canopy Rear Support	1	91	MB/125/2038	M6 o/a HD Screw x 10 Long	2
10	WA/125/0900	Rear Stabilizer Foot Plate	2	92	MB/125/2039	M6 Hex Nut	2
11	WA/125/1112	Valve Cover Plate	1	93	MB/125/1390	Hose 1/4" BSP F/F 1.65 m Long	1
12	PS/125/0211	Valve Lever Leaking Plate	1	94	MB/125/2245	Hose F/F 1/4" BSP/8 mm 1.65 Long	1
13	RS/125/0642	Valve Lever Locking Boss	1	95	MB/360/1079	Double Hose Clamp Assembly	2
14	WA/180/1231	Hand Rail	1	96	MB/125/2241	Tyre 8 ply (spares item)	1
15	PS/125/2184	Canopy Front Cover Plate	1	97	MB/125/2238	Wheel Rim (spares item)	1
16	MB/360/0571	Hydraulic Cylinder	1	98	MB/125/2237	Inner Tube (spares item)	1
17	MB/125/0720	Hydraulic Cylinder	1	99	A/125/0100	Chain Assembly	1
18	MB/125/1152	Cylinder Spares Kit	1	100	WA/125/1037	Towing Eye Bracket	1
19	A/125/0010	Towing Eye e/w Nut	1	101	RS/125/0765	Spacer Tube	1
20	MB/125/0533	Safety Cable Assembly	1	102	RS/125/0764	Distance Tube	2
21	MB/125/0534	Seat	1	103	MB/360/0315	Bolt M8 x 16 Long	2
22	MB/125/0521	Seat Slider Assembly (spares item)	2	104	MB/125/0766	Washer (special)	1
23	MB/125/0592	Wheel	2				
24	MB/125/0515	Rear Wheel Hub	2				
25	MB/125/1810	Rear Wheel Hub Cap (spares item)	1				
26	TU/125/0026	Throttle Lever and Cable Assembly	1				
27	WA/125/0001	Throttle Cable Inner and Outer Casing (spares item)	1				
28	FP/125/0002	Spacer Tube	1				
29	WA/125/0086	Pin 50 x 260 Long	1				
30	WA/125/0094	Pin 32 x 230 Long	1				
31	A/125/0041	Pin 20 x 130 Long	2				
32	WA/125/0593	Pin 20 x 130 Long	2				
33	WA/125/0356	Pin 20 x 130 Long	2				
34	WA/125/0672	Pin 20 x 130 Long	2				
35	RS/125/0315	Pin 20 x 130 Long	2				
36	RS/125/0316	Pin 28 x 55 Long	1				
37	WA/125/0673	Pin 25 x 207 Long	1				
38	MB/125/5060	Pin 25 x 270 Long	1				
39	MB/125/0710	Pin 25 x 242 Long	1				
40	MB/125/0050	Pin 25 x 68 Long	1				
41	MB/125/0393	Bush 50 x 60 Long	2				
42	MB/125/0607	Bush 28 x 20 Long	2				
43	MB/125/0902	Thrust Washer	2				
44	MB/125/0696	Bolt M16 x 35 Long	12				
45	MB/125/1450	Bolt M12 x 110 Long	1				
46	MB/125/0324	Bolt M12 x 100 Long	1				
47	MB/360/0392	Bolt M12 x 65 Long	3				
48	MB/125/0317	Bolt M10 x 35 Long	2				
49	MB/125/0697	Bolt M10 x 25 Long	2				
50	MB/125/0323	Bolt M10 x 20 Long	2				
51	MB/125/0468	Bolt M8 x 45 Long	6				
52	MB/125/1461	Bolt M8 x 35 Long (supplied with item 79)	1				
53	MB/125/0378	Bolt M8 x 25 Long	4				
54	MB/360/0318	Bolt M8 x 20 Long	6				
55	MB/125/2248	Bolt M8 x 16 Long	11				
56	PS/125/2175	Wing Nut M8	1				
57	MB/125/1516	Valve Bracket	2				
58	MB/360/0307	Wheel Hub Stud (spares item)	1				
59	MB/125/0384	M25 Flat Washer	5				
60	MB/125/1120	M20 Flat Washer	4				
61	MB/360/0383	5/8" Special Washer (spares item)	16				
62	MB/125/0394	M16 Flat Washer	6				
63	MB/360/0337	M12 Flat Washer	10				
64	MB/360/0334	M10 Flat Washer	17				
65	MB/360/0331	M8 Flat Washer	19				
66	MB/125/1119	M6 Flat Washer	5				
67	MB/125/0470	5/8" UNF Castle Nut (spares item)	4				
68	MB/360/0380	M16 Nyloc Nut	8				
69	MB/125/0471	M16 Hex Nut	2				
70	MB/360/0338	M12 Nyloc Nut	1				
71	MB/125/0404	M12 Hex Nut	3				
72	MB/125/0469	M10 Nyloc Nut	12				
73	MB/125/1437	M8 Nyloc Nut	8				
74	MB/125/0327	M6 Nyloc Nut	8				
75	MB/125/0387	Wheel Nut	7				
76	MB/125/1121	M5 x 40 Long Split Pin	2				
77	MB/125/0062	Split Pin (spares item)	2				
78	MB/125/0405	Hairpin Clip	2				
79	MB/360/0962	Spring Ring Pin	2				
		Hose Clamp Assembly (3 double Clamps)	1				
	MB/360/2273	Double Hose Clamp (plastic only) (spares for items 79 and 95)	1				
	MB/360/2271	Double Hose Clamp Top Plate (spares items 79 and 95)	1				
80	MB/360/0198	Double Hose Clamp (single clamp)	5				
81	MB/360/0321	No 6 x 1/4" Long Pan Ho Self Tapping Screw	2				
82	MB/360/0329	1/8" BSP Grease Nipple	3				

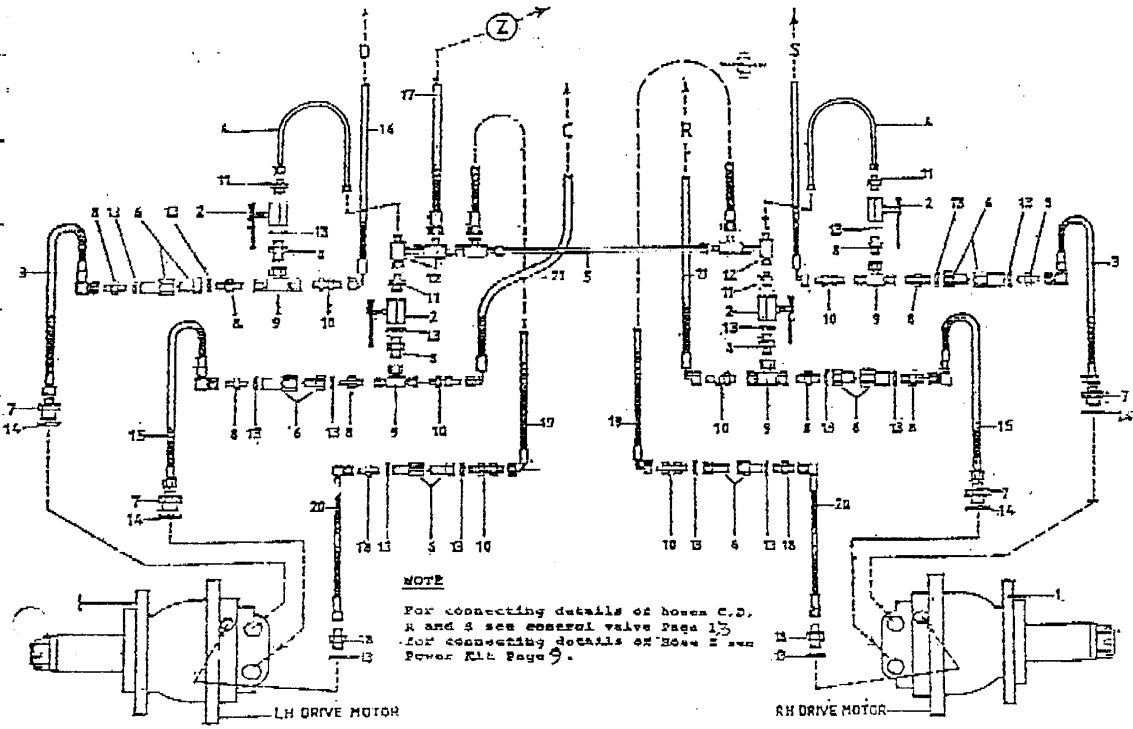


1.25WTD (11WP) FRONT END EQUIPMENT KIT NO. K0259

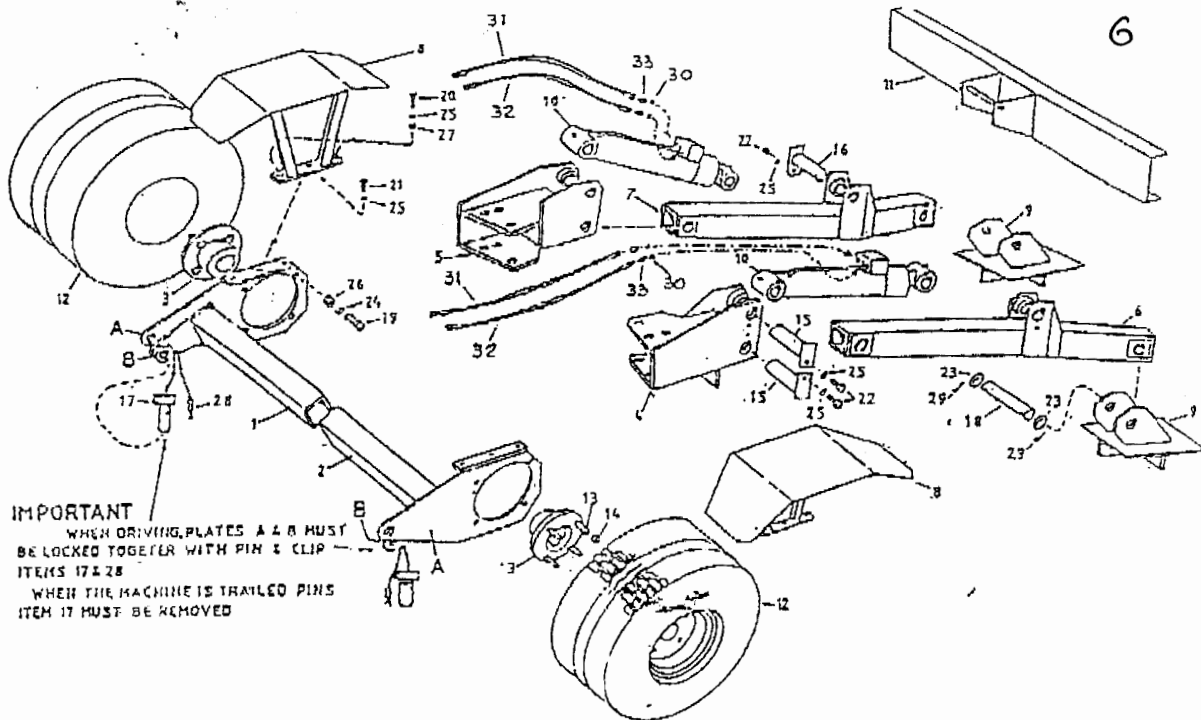
vertical valve

ITEM	PART NO	DESCRIPTION	QTY
1	WA125/0428	Boom	1
2	WA125/0433	Dipper	1
3	WA125/0383	Push Link	1
4	WA125/0310	Bucket Link	1
5	RS125/0140	Pin 25 Dia x 190mm Long	5
6	WA125/0356	Pin 28 Dia x 55mm Long	6
7	MB125/0710	Bush 28 Dia x 20mm Long	10
8	MB125/2530	Bush 25 Dia x 30mm Long	10
9	MB125/3240	Bush 32 Dia x 40mm Long	2
10	MB125/0720	Hydraulic Cylinder	3
	MB125/1152	Cylinder Seals (spares kit)	
11	MB125/0329	Grease Nipple 1/8" BSP	6
12	MB125/0405	Spring Ring Clip	4
13	MB125/1387	Rose 3/8" BSP 1.75m Long F/F (special end)	2
14	MB125/1389	Rose 3/8" BSP 1.90m Long F/F	2
15	MB125/0660	Rose 3/8" BSP 3.25m Long F/F	2
16	MB125/0199	Pipe Clamp Single	6
17	MB125/0198	Pipe Clamp Double	2
18	MB360/0324	Pipe Clamp Double	3
19	MB360/0324	M10 x 16 Long Hex Screw	6
20	MB125/1503	M8 x 60 Long Hex Bolt	1
21	MB360/0627	M8 x 35 Long Hex Bolt	3
22	MB360/0308	M6 x 40 Long Hex Bolt	8
23	MB360/0337	M10 Flat Washer	6
24	MB360/0334	M8 Flat Washer	2
25	MB360/0331	M6 Flat Washer	8
26	MB360/0333	M8 Hex Nut	1
27	MB360/0330	M6 Hex Nut	8
28	MB125/1029	M6 Grease Nipple	6

When ordering spares please quote machine serial number together with kit and item number of parts required.



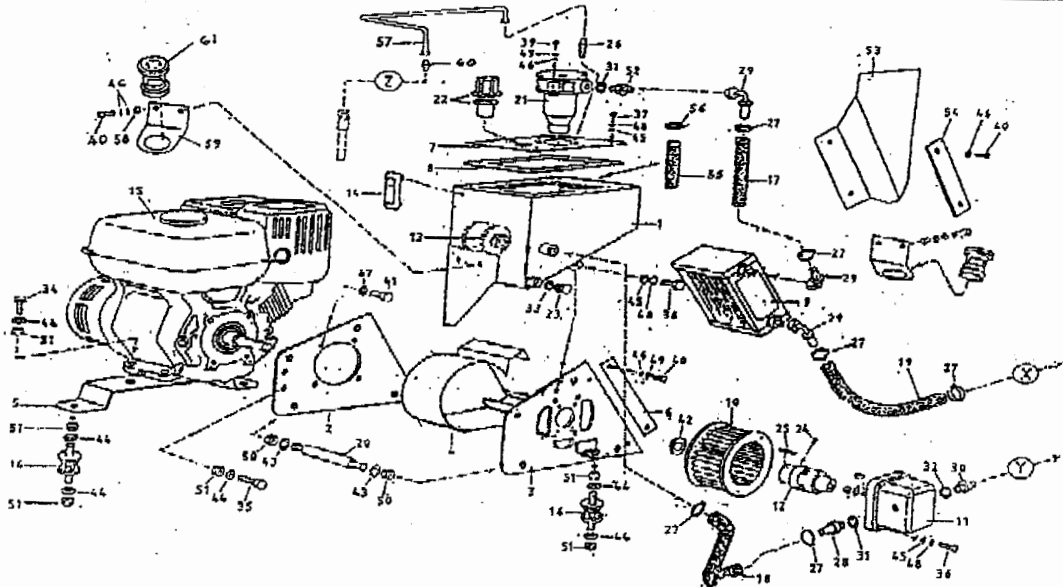
ITEM	PART NO	DESCRIPTION	QTY
1	MB360/0885	Drive Motor 115 .....	2
	MB125/1266	Drive Motor Seals (spares kit)	
2	MB125/2035	Hydraulic Shut Off Valve (lever operated) .....	4
3	MB125/1395	Hose 3/8" BSP F to 3/8" BSP F .....	2
		Block 90 Deg. Elbow 0.46m Long	
4	TU125/0116	Steel Pipe .....	2
5	TU125/0117	Steel Pipe .....	1
6	MB125/0957	Quick Release Couplings 3/8" BSP .....	6
	MB125/2265	Quick Release Coupling Long Half (spares item)	
	MB125/2266	Quick Release Coupling Short Half (spares item)	
	MB125/2008	Quick Release Coupling Seal Kit (spares item)	
7	MB125/1006	Adaptor 3/4" BSP to 3/8" BSP .....	4
8	MB125/0602	Adaptor 3/8" BSP to 3/8" BSP .....	12
9	MB125/1250	Tee 3/8" BSP F/F/F .....	4
10	MB125/1007	Bulkhead Adaptor 3/8" BSP to 3/8" BSP .....	6
11	MB360/0234	Stud 3/8" BSP to 12mm .....	4
12	MB360/1210	Tee 12mm F/M/M .....	6
13	MB125/0052	3/8" BSP Bonded Seal .....	18
14	MB125/0348	3/4" BSP Bonded Seal .....	4
15	MB125/1394	Hose 3/8" BSP F to 3/8" BSP F Block .....	2
		90 Deg. Elbow 0.42m Long	
16	MB125/1393	Hose 3/8" BSP F to 3/8" BSP F Swept .....	2
		90 Deg. Elbow 0.53m Long	
17	MB125/3110	Hose 12 mm to 12mm F/F 0.29 m Long.....	1
18	MA360/0302	Adaptor 3/8" to 1/4" BSP MM .....	4
19	MB125/2219	Hose 3/8" BSP F to 3/8" BSP F Swept 90o .....	2
		Elbow 0.52m Long	
20	MB125/2218	Hose 1/4" BSP F to 1/4" BSP F 90o (block) .....	2
		0.51m Long	
21	MB125/1393	Hose 3/8" BSP F to 3/8" BSP F 90o swept .....	2
		Elbow 0.48m Long	
22	MB360/0288	Reducing Swivel 12mm F to 8mm M .....	1
23	MB360/1203	Elbow (short) 12mm M/F 90o .....	1
24	MB125/2277	Hose 8mm F ST to 1/4" BSP 90o Block .....	1
		Elbow F 0.405m Long	



NOTE SEE HYDRAULIC LAYOUT PAGE 11 FOR CONNECTING DETAILS OF ITEMS 31 AND 32

125WTD (11HP) DRIVE AND FRONT OUTRIGGER KIT NO. K0178  
vertical valve

ITEM	PART NO	DESCRIPTION	QTY
1	WA125/0658	L.H. suspension Unit	1
2	WA125/0657	R.H. Suspension Unit	1
3	RS125/0307	Wheel Hub	2
4	WA125/0472	R.H. Pivot Bracket	1
5	WA125/0473	L.H. Pivot Bracket	1
6	WA125/0646	R.H. Outrigger Leg	1
7	WA125/0651	L.H. Outrigger Leg	1
8	WA125/0762	Mudguard	1
9	WA125/0674	Outrigger Foot Plate	2
10	MB125/0571	Hydraulic Cylinder	2
	MB125/0587	Cylinder seal kit (replaces item)	2
11	MB125/0865	Lighting board	1
12	MO125/1267	Wheel Assembly (optional)	2
13	MB360/0915	Wheel Stud	8
14	MB360/0916	Wheel Nut	8
15	WA125/0546	Pin 25 Dia X 129 Long	4
16	WA125/0545	Pin 25 Dia X 108 Long	2
17	WA125/0750	Pin 25 Dia X 55 Long	2
18	RS125/0001	Pin 20 Dia X 146 Long	2
19	MB360/0642	M16 X 50 Hex Bolt	8
20	MB360/0381	M10 X 25 Hex Bolt	4
21	MB125/0324	M10 X 20 Hex Bolt	2
22	MB360/0392	M10 X 16 Hex Bolt	6
23	MB360/0384	Washer Flat M20	4
24	MB360/0383	Washer Flat M16	8
25	MB360/0337	Washer Flat M10	12
26	MB125/0470	Hex Nut (Nyloc) M16	12
27	MB125/0404	Hex Nut (Nyloc) M10	4
28	MB360/0690	Hairpin Clip	2
29	MO125/0307	Split Pin 50 Dia X 40 Long	4
30	MB125/0051	Bonded Seal 1/4" BSP	4
31	MB125/1392	1/4" BSP F/ST - F 90 Deg. Swept 1.1m Long	2
32	MB125/1391	1/4" BSP F/ST - F 90 Deg. Swept 1.3m Long	2
33	MB125/0056	Adapcoc 1/4" - 1/4" BSP M/M	4



125 WTD (11HP) POWER KIT NO. K0173

ITEM	PART NO.	DESCRIPTION	QTY
1	WA/125/0662	Hydraulic Tank	1
2	PS/125/1142	Engine Mounting Plate	1
3	WA/125/0664	Pump Mounting Plate	1
4	WA/125/0663	Impeller Cover Plate	1
5	PS/125/0924	Mounting Plate	1
6	PS/125/1180	Securing Plate	1
7	PS/125/1256	Tank Cover Plate	1
8	HA/125/1378	Tank Cover Plate Gasket	1
9	HU/360/1168	Oil Cooler	1
10	HA/360/1221	Impeller	1
11	HA/360/0837	Hydraulic Pump (see spares below)	1
	HA/125/1049	Pump Seals (spares kit)	1
	HA/125/1211	Pump Shaft Key (spares item)	1
	HA/125/1512	Pump Shaft Nut (spares item)	1
	HA/125/1313	Pump Shaft Tab Washer (spares item)	1
12	HA/360/0273	Drive Coupling	1
	HA/125/0747	Drive Coupling Spider (spares item)	1
13	HU/360/0677	Strainer	1
14	HA/125/0075	Oil Lever Gauge	1
15	HA/125/1320	11 HP Honda Engine (for spares contact Honda Dealer)	1
16	HA/360/0355	Rubber Engine Mounts	3
17	HA/125/1421	3/8" Dia Bore Rubber Hose	1
18	HA/125/1422	3/4" Dia Bore Rubber Hose	1
19	HU/125/1402	5/8" Dia Bore Rubber Hose	1
20	AS/125/0303	M12 Tie Rod	1
21	HA/125/1078	Return Line Filter	1
	HA/125/1514	Filter Element (spares item)	1
22	HA/125/1127	Filter Cap Assembly	1
23	HA/125/0054	1/4" BSP Plug	1
24	HU/360/1128	Grab Screw	1
25	HA/125/1517	Key Parallel	1
26	HU/360/1642	12mm Dowlhead Adaptor	1
27	HA/125/0022	Work Drive Hose Clip Size 1A	6
28	HA/125/0797	1/2" BSPm to 3/4" Dia. Hose Tail	1
29	HA/125/1470	3/8" BSPm to 5/8" Dia x 90 Deg. Hose Tail	2
30	HA/125/0213	1/2" 3/8" BSP m/GT Adaptor	1
31	HA/125/0053	1/2" BSP Bonded Seal	1
32	HA/125/0052	3/8" BSP Bonded Seal	2
33	HA/125/0051	1/4" BSP Bonded Seal	1
34	HA/125/1129	M10 X 50 Hex Screw	2
35	HA/125/0780	M10 X 15 Hex Screw	4
36	HA/360/0467	M8 X 30 Hex Screw	4
37	HA/125/0468	M8 X 20 Hex Screw	4
38	HA/360/0315	M8 X 16 Hex Screw	8
39	HA/360/1150	M6 X 20 Hex Screw	1
40	HA/360/0314	M6 X 16 Hex Screw	3
41	HA/125/1432	J/8" UNF X 1.1/4" Long Hex Screw	4
42	HU/125/1449	25 Dia Head Washer (special)	4
43	HA/125/0394	M12 Flat Washer	1
44	HU/360/0337	M10 Flat Washer	8
45	HA/360/0334	M8 Flat Washer	12
46	HU/360/0331	M6 Flat Washer	15
47	HU/125/0402	3/8" Flat Washer	5
48	HU/125/0335	M8 Spring Washer	4
49	HU/360/0332	M6 Spring Washer	13
50	HA/125/0471	M12 Nylon Nut	5
51	HA/125/0472	M10 Nylon Nut	8
52	HA/125/0473	M8 Nylon Nut	12
53	HA/125/0474	M6 Nylon Nut	1
54	HA/125/0475	M4 Nylon Nut	1
55	HA/125/0476	M3 Nylon Nut	1
56	HA/125/0477	M2 Nylon Nut	1
57	HA/125/0478	M1 Nylon Nut	1
58	HA/125/0479	M0 Nylon Nut	1
59	HA/125/0480	M-1 Nylon Nut	1
60	HA/125/0481	M-2 Nylon Nut	1
61	HA/125/0482	M-3 Nylon Nut	1
62	HA/125/0483	M-4 Nylon Nut	1
63	HA/125/0484	M-5 Nylon Nut	1
64	HA/125/0485	M-6 Nylon Nut	1
65	HA/125/0486	M-7 Nylon Nut	1
66	HA/125/0487	M-8 Nylon Nut	1
67	HA/125/0488	M-9 Nylon Nut	1
68	HA/125/0489	M-10 Nylon Nut	1
69	HA/125/0490	M-11 Nylon Nut	1
70	HA/125/0491	M-12 Nylon Nut	1
71	HA/125/0492	M-13 Nylon Nut	1
72	HA/125/0493	M-14 Nylon Nut	1
73	HA/125/0494	M-15 Nylon Nut	1
74	HA/125/0495	M-16 Nylon Nut	1
75	HA/125/0496	M-17 Nylon Nut	1
76	HA/125/0497	M-18 Nylon Nut	1
77	HA/125/0498	M-19 Nylon Nut	1
78	HA/125/0499	M-20 Nylon Nut	1
79	HA/125/0500	M-21 Nylon Nut	1
80	HA/125/0501	M-22 Nylon Nut	1
81	HA/125/0502	M-23 Nylon Nut	1
82	HA/125/0503	M-24 Nylon Nut	1
83	HA/125/0504	M-25 Nylon Nut	1
84	HA/125/0505	M-26 Nylon Nut	1
85	HA/125/0506	M-27 Nylon Nut	1
86	HA/125/0507	M-28 Nylon Nut	1
87	HA/125/0508	M-29 Nylon Nut	1
88	HA/125/0509	M-30 Nylon Nut	1
89	HA/125/0510	M-31 Nylon Nut	1
90	HA/125/0511	M-32 Nylon Nut	1
91	HA/125/0512	M-33 Nylon Nut	1
92	HA/125/0513	M-34 Nylon Nut	1
93	HA/125/0514	M-35 Nylon Nut	1
94	HA/125/0515	M-36 Nylon Nut	1
95	HA/125/0516	M-37 Nylon Nut	1
96	HA/125/0517	M-38 Nylon Nut	1
97	HA/125/0518	M-39 Nylon Nut	1
98	HA/125/0519	M-40 Nylon Nut	1
99	HA/125/0520	M-41 Nylon Nut	1
100	HA/125/0521	M-42 Nylon Nut	1

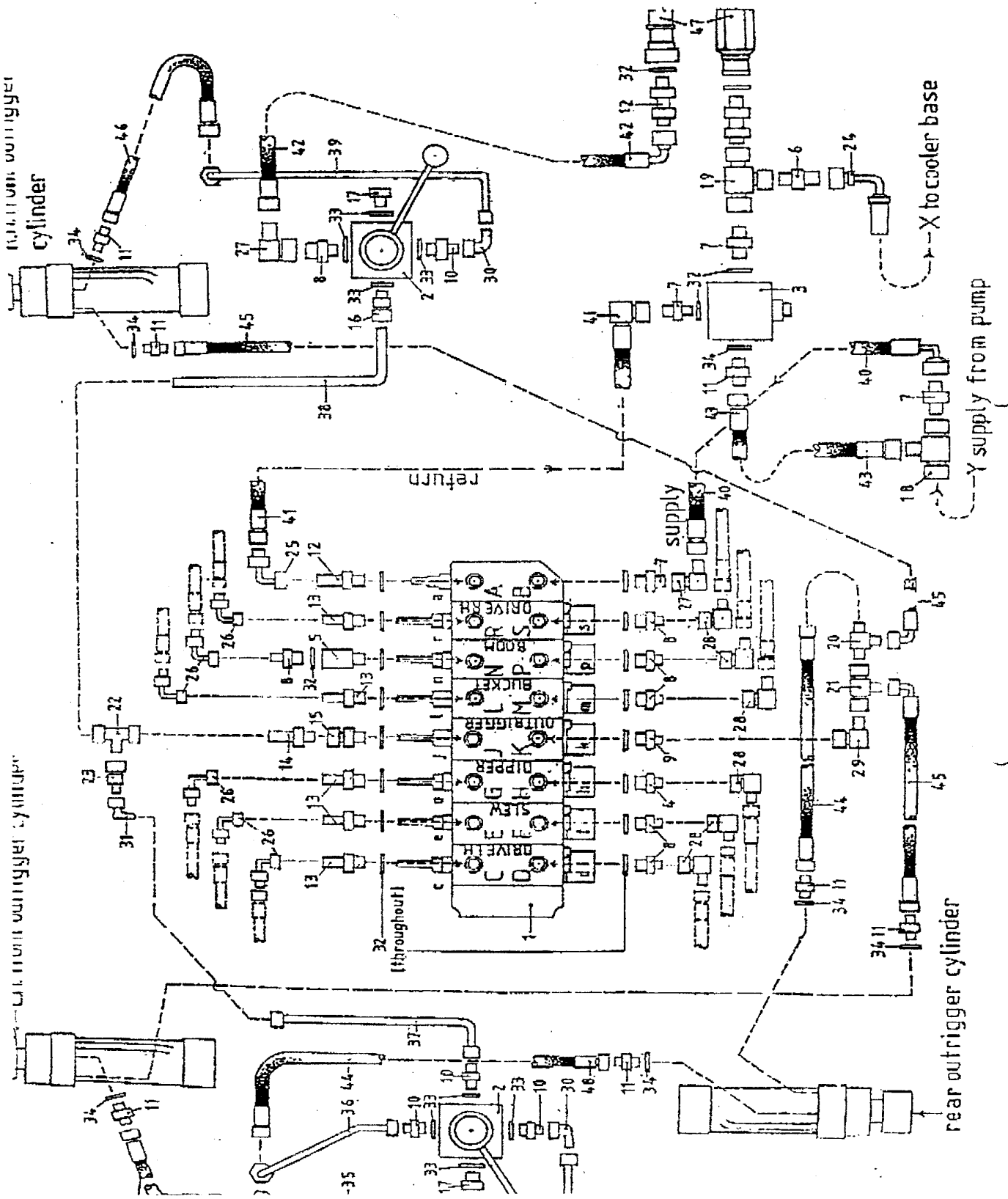
P.16

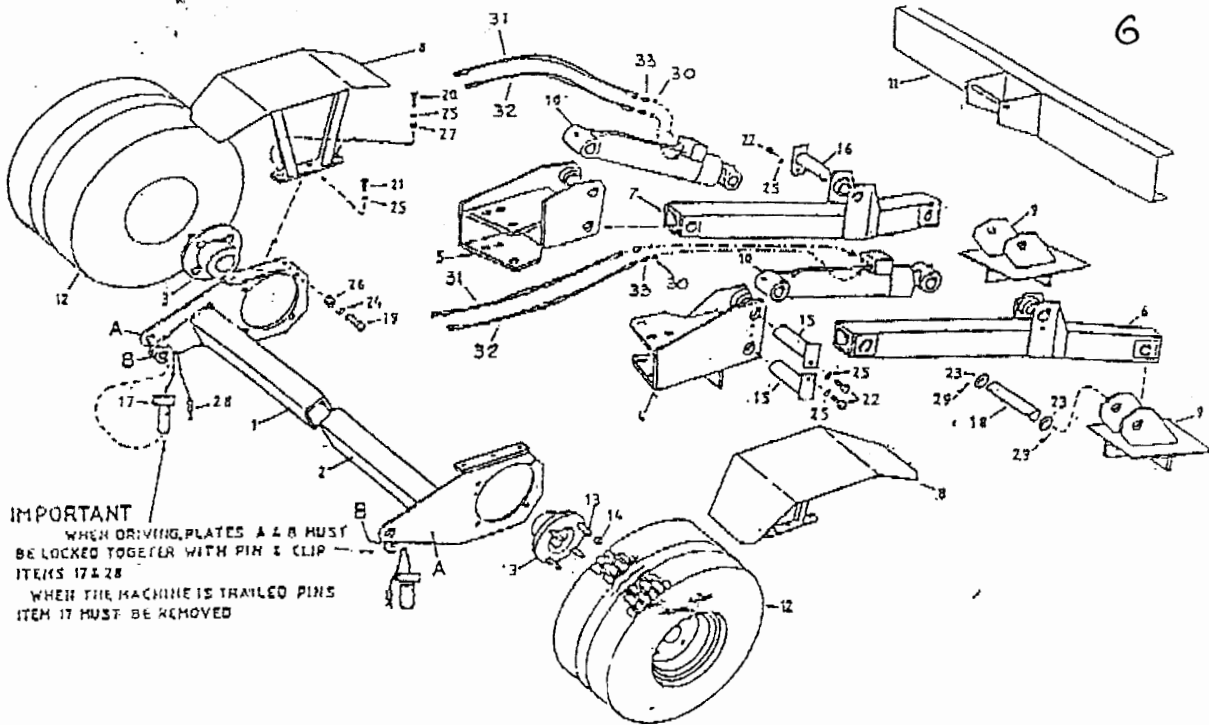
045578152

8.NOV.94 16:05 POWERFB

ITEM	PART NO.	DESCRIPTION	QTY
1	MB125/2256	Hydraulic Control Valve (see spares below)	1
	MB125/1092	Seal Kit	
	MB125/2178	Long Control Lever	
	MB125/2177	Short Control Lever	
	MB125/1094	Lever Chain Link	
	MB125/2184	Relief Valve Shim 0.002	
	MB125/2239	Relief Valve Shim 0.020	
(a)	MB125/1507	Supply Main Line Relief Valve 165 bar (2400psi)	
(af)	MB125/2182	Slew - Relief Valve (Service Line's Anti Cavitation) 138 bar (2000 psi)	
(1)	MB125/1089	Dipper - Relief Valve (Service Line) 276 bar (4000psi)	
(p)	MB125/1089	Boom - Relief Valve (Service Line) 276 bar (4000psi)	
(ca)	MB125/2276	Drive L.R - Anti Cavitation Valve	
(ca)	MB125/2276	Drive R.R - Anti Cavitation Valve	
2	MB360/1109	Rotary Valve	2
3	MB125/1217	Counter Balance Valve	1
4	MB360/0214	Restrictor Size 0.073	1
5	MB125/0986	Restrictor Size 0.062	1
6	MB125/1466	Adaptor 5/8" - 1/2" BSP M/M	1
7	MB360/0218	Adaptor 1/2" - 1/2" BSP M/M	4
8	MB360/0215	Adaptor 1/2" - 3/8" BSP M/M	7
9	MB125/0055	Adaptor 1/2" - 1/4" BSP M/M	1
10	MB360/1199	Stud Coupling 3/8" BSP M to 8mm M	4
11	MB360/0056	Adaptor 1/4" - 1/4" BSP M/M	7
12	MB360/0437	Bulkhead Adaptor 1/2" to 1/2" BSP M/M	3
13	MB360/1069	Bulkhead Adaptor 1/2" to 3/8" BSP M/M	3
14	MB300/1555	Bulkhead Adaptor 15mm BSP to 15mm M/M	1
15	MB360/1556	Swivel Connector 1/2" BSP M to 15mm F	1
16	MB360/1204	Stud Coupling 3/8" BSP M to 15mm M	1
17	MB360/0216	Plug 3/8" BSP	2
18	MB125/1465	Tee 1/2" BSP F/F to 1/4" BSP M	1
19	MB360/0350	Tee 1/2" BSP F/F/F	1
20	MB360/1154	Tee 1/4" BSP M/M/M	1
21	MB360/1153	Tee 1/4" BSP F/F/M	1
22	MB360/1209	Tee 15mm M/M/F	1
23	MB360/1212	Swivel Connector 8mm M to 15mm F	1
24	MB125/1403	Elbow 90° Swept 5/8" dia Hose Tail	1
25	MB360/1066	Elbow 90° Swept 1/2" BSP F to 1/2" BSP M	1
26	MB360/1064	Elbow 90° Swept 3/8" BSP F to 3/8" BSP M	8
27	MB360/1067	Elbow 90° Block 1/2" BSP F to 1/2" BSP M	2
28	MB125/1065	Elbow 90° Block 3/8" BSP F to 3/8" BSP M	6
29	MB125/1000	Elbow 90° Block 1/4" BSP F to 1/4" BSP M	1
30	MB360/0927	Elbow (short) 8mm M/h	2
31	MB360/1202	Elbow (short) 8mm M/F	1
32	MB125/0053	Bonded Seal 1/2" BSP	20
33	MB125/0052	Bonded Seal 3/8" BSP	8
34	MB125/0051	Bonded Seal 1/4" BSP	7
35	A125/0092	Tube Assembly	1
36	A125/0093	Tube Assembly	1
37	A125/0094	Tube Assembly	1
38	A125/0095	Tube Assembly	1
39	A125/0096	Tube Assembly	1
40	MB125/2216	Hose 1/2" BSP F ST to 1/2" BSP F 90° swept 0.63m Long	1
41	MB125/2217	Hose 1/2" BSP F ST to 1/2" BSP F 90° (block) 0.32m Long	1
42	MB125/2215	Hose 1/2" BSP F ST to 1/2" BSP F 90° (swept) 0.45m Long	1
43	MB125/1400	Hose 1/4" BSP F ST to 1/4" BSP F ST 0.35m Long	1
44	MB125/1390	Hose 1/4" BSP F ST to 1/4" BSP F ST 1.65m Long	1
45	MB125/1392	Hose 1/4" BSP F ST to 1/4" BSP F 90° Swept 1.10m Long	2
46	MB125/2213	Hose 1/4" BSP F ST to 8mm F ST 1.10m Long	2
47	MB360/0508	Quick Release Coupling 1/2" BSP (Flat Faced) Ass	1
	MB360/2252	Coupling Long Half (spares item)	
	MB360/2253	Coupling Short Half (spares item)	
	MB360/2276	Coupling Seal Kit (spares item)	
48	MB125/2212	Hose 1/4" BSP F ST to 8mm F ST 1.65m Long	1

9





**IMPORTANT**

WHEN DRIVING, PLATES A & B MUST BE LOCKED TOGETHER WITH PIN 17 & CLIP ITEMS 17 & 28  
 WHEN THE MACHINE IS TRAILED PINS ITEM 17 MUST BE REMOVED

NOTE SEE HYDRAULIC LAYOUT PAGE 11 FOR CONNECTING DETAILS OF ITEMS 31 AND 32

125WTD (11HP) DRIVE AND FRONT OUTRIGGER KIT NO. K0178  
 vertical valve

ITEM	PART NO	DESCRIPTION	QTY
1	WA125/0658	L.H. suspension Unit	1
2	WA125/0657	R.H. suspension Unit	1
3	RS125/0307	Wheel Hub	2
4	WA125/0472	R.H. Pivot Bracket	1
5	WA125/0473	L.H. Pivot Bracket	1
6	WA125/0646	R.H. Outrigger Leg	1
7	WA125/0651	L.H. Outrigger Leg	1
8	WA125/0762	Mudguard	1
9	WA125/0674	Outrigger Foot Plate	2
10	MB125/0571	Hydraulic Cylinder	2
	MB125/0587	Cylinder Seal Kit (spares item)	2
11	MB125/0865	Lighting Board	1
12	MB125/1267	Wheel Assembly (optional)	2
13	MB360/0915	Wheel Stud	8
14	MB360/0916	Wheel Nut	8
15	WA125/0546	Pin 25 Dia X 129 Long	4
16	WA125/0543	Pin 25 Dia X 108 Long	2
17	WA125/0750	Pin 25 Dia X 35 Long	2
18	RS125/0001	Pin 20 Dia X 146 Long	2
19	MB360/0642	M16 X 50 Hex Bolt	8
20	MB360/0381	M10 X 25 Hex Bolt	4
21	MB125/0324	M10 X 20 Hex Bolt	2
22	MB360/0392	M10 X 16 Hex Bolt	6
23	MB360/0384	Washer Flat M20	4
24	MB360/0383	Washer Flat M16	8
25	MB360/0317	Washer Flat M10	12
26	MB125/0470	Hex Nut (Nyloc) M16	12
27	MB125/0404	Hex Nut (Nyloc) M10	4
28	MB360/0690	Hairpin Clip	2
29	MB125/0307	Split Pin 50 Dia X 40 Long	4
30	MB125/0031	Bonded Seal 1/4" BSP	4
31	MB125/1392	1/4" BSP F/ST - F 90 Deg. Swept 1.1m Long	2
32	MB125/1391	1/4" BSP F/ST - F 90 Deg. Swept 1.3m Long	2
33	MB125/0036	adaptec 1/4" - 1/4" BSP M/M	4