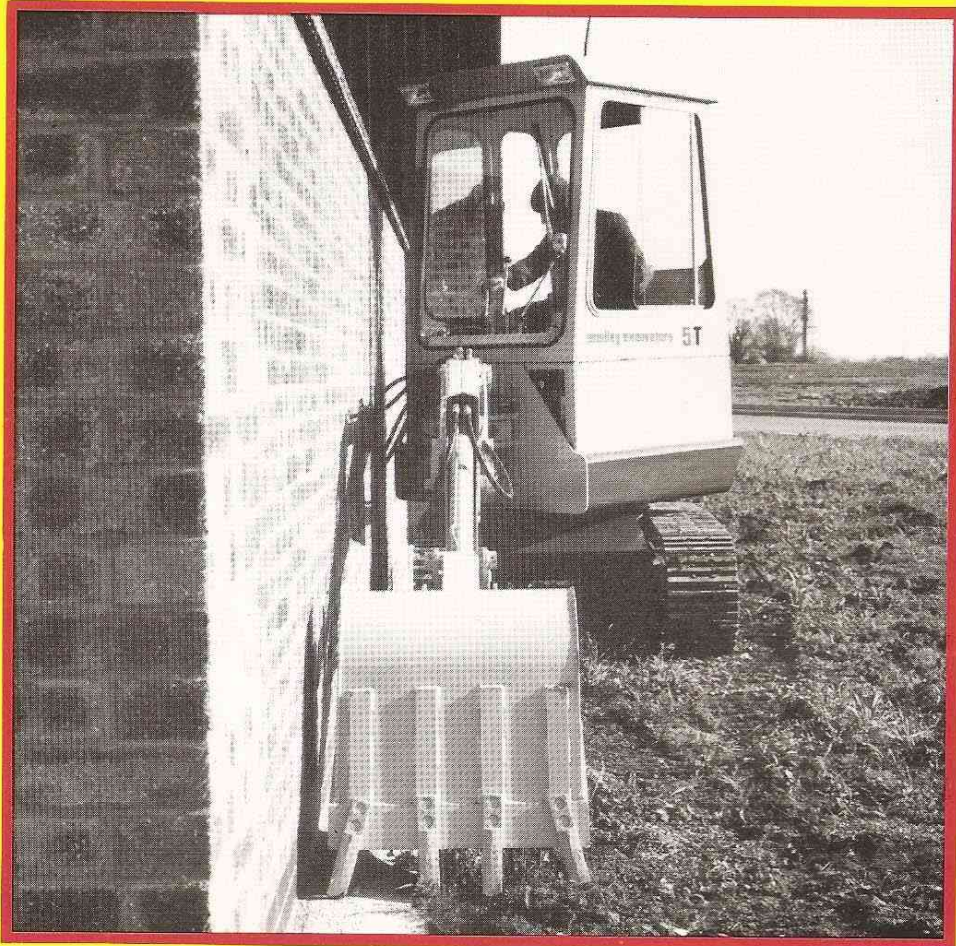


# Smalley<sup>®</sup> 5T



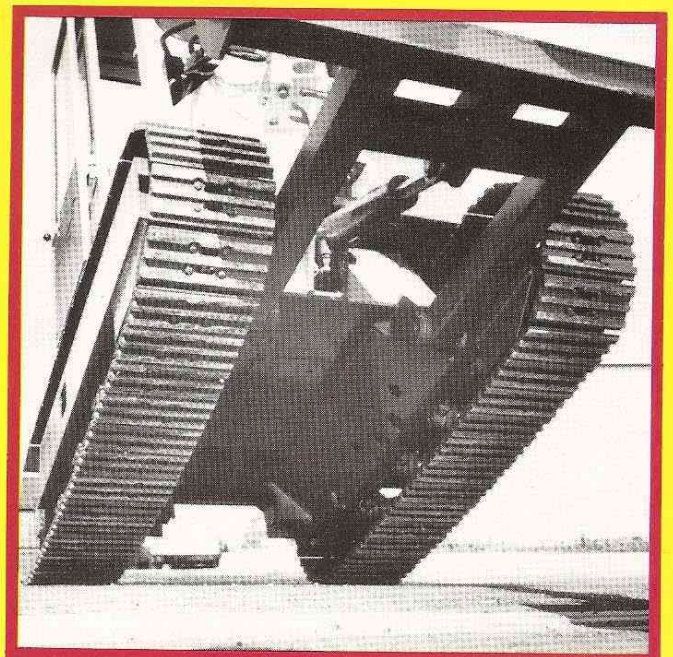
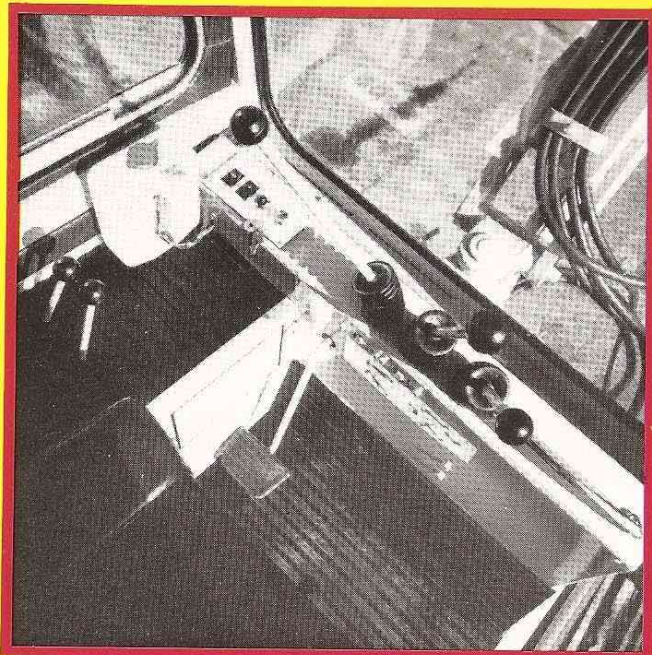
New generation excavator from Smalley. Tough, strong and reliable. A very robust, compact machine with tiny 88 cm tail radius, 360° slew on 83 cm diam. ball bearing slew ring. Self contained excavator on heavy duty tracks, complete with comfortable cab, offset digging. 2.45 M digging depth, 3.5 M unloading height and buckets up to 90 cm—capacity up to 116 litres. The Smalley 5 T may operate within 20 cm of a wall and still slew to load at 90° or 180° into a full size lorry so that other road users are not obstructed, or for confined space working. Stylish, super comfort, wide, spacious, cab, built to Swedish specifications. Double sliding window, windscreen washer and wiper, working lights, heater and sound insulation to the latest standards. Bostrom hydraulically suspended seat, optional radio.



Mechanical offset digging is very quickly and simply adjusted, in the offset position the machine can dig up against a wall or other obstruction.

Key start and stop. SAE joystick controls for digging and slew, separate forward and reverse levers for each track drive. The fifth lever operates the dozer blade. The foot pedal transfers power from the digging system for high speed tracking.

Heavy duty track frame with impact resisting, cast manganese steel sprockets and idlers. Four sets of rollers plus one top skid to each track, life time lubricated. Two multi piston motors for positive powerful movement, non-cavitation lock valves to each motor. Three pump hydraulic system, one for digging and slew, one for each track to allow for spin turning plus facility to transfer power to the drive system. Micro-return line filtration system.

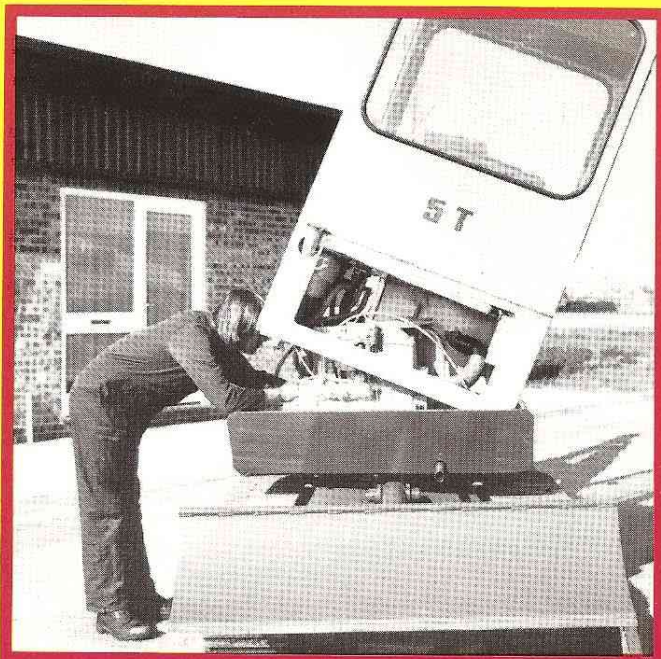




The whole cab tilts for easy maintenance and is supported in the tilted position by gas springs. The cab top may be removed when necessary leaving the controls intact. Oil and diesel filler caps are easily accessible from outside the machine for daily maintenance.

Quality Lister air cooled, two cylinder diesel engine (LV2, 20 Bhp). For longer life, easier service and fuel economy. Access to the engine is through quick release lift off panel.

P T O fitted as standard, a full range of attachments is available. Fittings for jib mounted hammer and winch are optional.



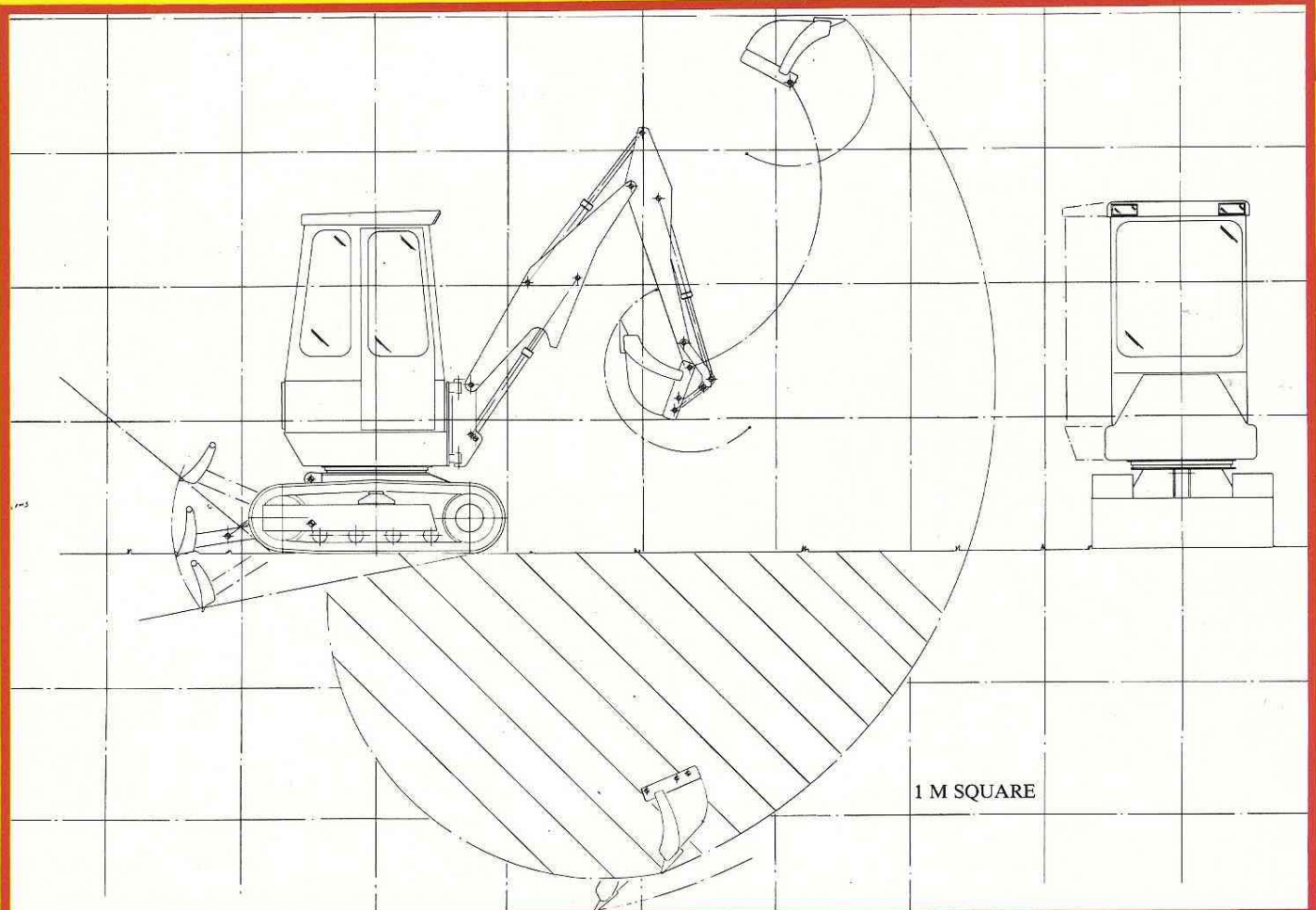
## SPECIFICATIONS

**Digging depth:** 2.45 M (96.5") 2.7 M (106") m/c tilted.  
**Reach:** 4.4 M (173")  
**Unloading height:** 3.5 M SAE (138")  
**Capacity:** up to 0.115 M<sup>3</sup>  
**Lift:** at full reach 350 Kg (770 lb)  
less bucket  
**Weight:** 2.8 tonnes (6160 lb)  
**Width:** 1.35 M (53.2")  
**Cab height:** 2.55 M (100.5")  
**Tail radius:** 0.885 M (34.8")  
**Boom radius:** 2.57 M (101")  
**Offset dig:** Manual  
**Ground clearance:** 0.340 M (13.4")  
**Tearout force at bucket:** 2333 KgF (5132 lbF)  
**Gradeability:** 37°  
**Drawbar pull:** 2691 kgF (5920 lbF)  
**Engine:** Lister LV2 20.08 bhp  
**Fuel capacity:** 22 litres (4.8 gals)  
**Slew speed:** 10 rpm  
**Pump flow:** nominal—40L/min—max 69L/min  
**System pressure services:** 160 bar—transmission 250 bar  
**Filtration:** Micro-return line 0.6 micron  
**Track length:** 1.9 M (75")  
**Track width:** 0.300 M (11.8")

**Track rollers:** 4 + 1 top skid  
**Ground pressure:** 0.27 Kg/cm  
**Working speed:** 1.67 Kph. Travel speed 3.7 Kph (2.3 mph)  
**Blade height:** 0.370 M (14.5")

## OPTIONAL EXTRAS

Winch  
Hand held and jib mounted hammers  
Buckets—including square hole  
Grab  
Face shovel attachments  
Long jib and dipper  
Weed cutting bucket—weed rake  
Water pump  
Abrasion wheel cutter  
Chain saw  
Angle dozer



# smalley excavators

## SMALLEY EXCAVATORS LTD.

Cherry Holt Road, Bourne, Lincs. England.  
Telephone Bourne (0778) 426426 (6 lines)  
Telex 32225

## PATENTS PENDING AND APPLIED FOR

The policy of the company is one of continuous improvement and it reserves the right to change specifications and prices without notice.